

# GITA PUMPS

AN ISO 9001:2008  
CERTIFIED COMPANY

**CHOCKELSS  
SOLIDS  
HANDLING  
'BC'**



**APPLICATION:-** Used for liquids containing soft solids in suspension. Suitable for abrasive or corrosive slurries, sewage, waste water, viscous & fibrous materials, used in sugar & paper mills, sewage handling, Municipalities, chemicals and fertilizer plants, cement and steel industries etc.

**IMPELLER:-** End suction closed or open chockless type impeller having 2 or 3 vanes with wide passage for easy flow of solids in suspension with the liquid, Back vanes are provided for balancing axial thrust & to prevent gland leakage.

**VOLUTE CASING:-** Radially split volute is of ring type & has wide passage for easy flow of solids in suspension.

**STUFFING BOX:-** This is designed to be extra deep for larger number of packing rings for effective sealing of liquid being pumped. Cage ring is provided for packing sealing lubricants & cooling mechanical seals can be fitted on request.

**DIRECTION OF ROTATION:-** Pumps rotate clockwise when viewed from coupling end.

**MATERIAL OF CONSTRUCTION:-** Available in all iron, bronze fitted, all bronze, SS fitted & all stainless steel construction.

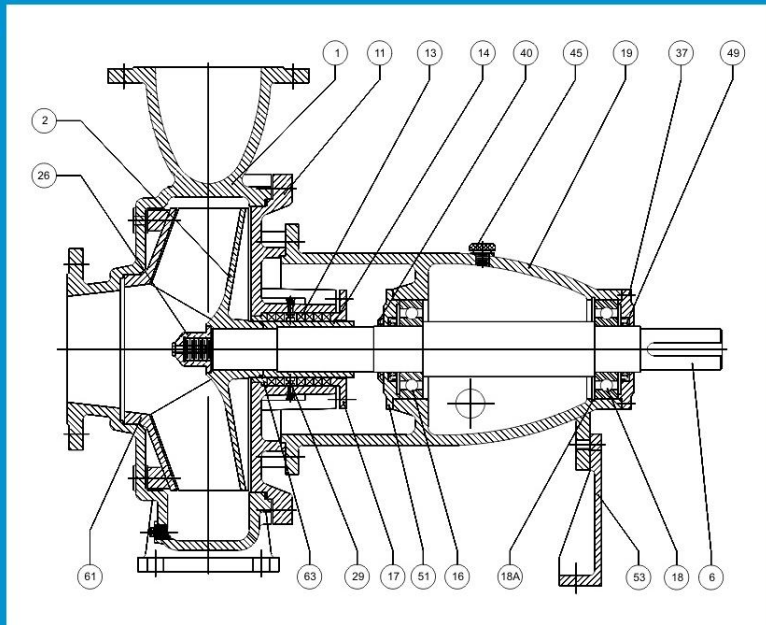
**BEARING HOUSING:-** It is positively sturdier than comparable pumps and have longer bearing span. Bearings used are of heavy duty giving these pumps longer life and smoother operation.

**SHAFT:-** This is liberally designed, specially at the impeller hub and is known to give longer life than other. Heavier duty bearings are used which enable these pumps to give longer life. It is available in EN-8 & stainless steel.

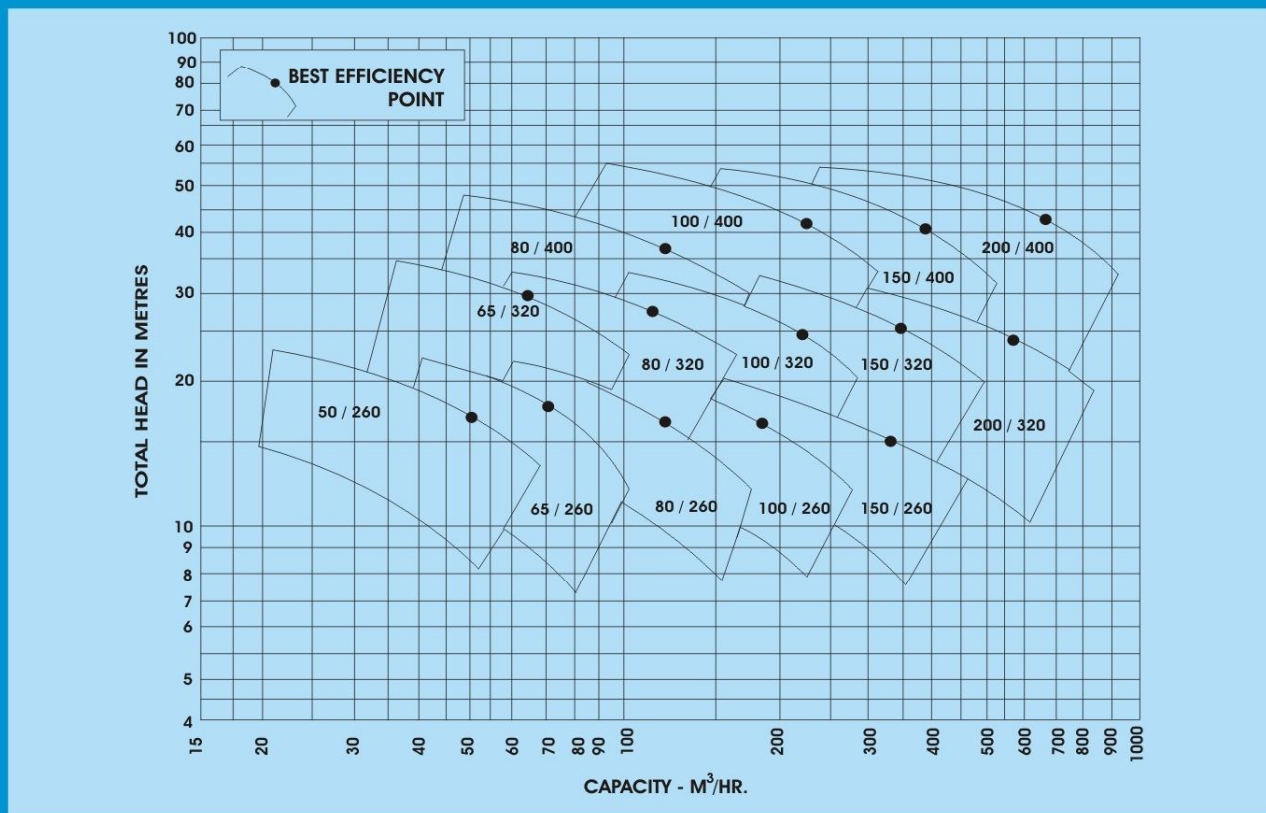
**RANGE OF SIZE:-** Gita 'BC' pumps are available from 65x50mm suction & delivery size to 200x200mm suction & delivery size. Head ranges from 5 meters to 60 meters, capacity ranges from 10m<sup>3</sup>/hr to 950m<sup>3</sup>/hr and RPM 1450 and 960.

# CROSS SECTIONAL VIEW OF "BC" PUMPS

No.	Part Name	Qty. Per Reqd. Pump
1	CASING	1
2	IMPELLER	1
6	PUMP SHAFT	1
11	GLAND SIDE COVER	1
13	PACKING RINGS	6
14	SHAFT SLEEVE	1
16	BEARING (INBOARD)	1
17	GLAND	1
18	BEARING (OUT BOARD)	1
19	BRACKET	1
25	IMPELLER WEAR RING	1
26	IMPELLER LOCK NUT	1
29	CAGE RING	1
37	BEARING COVER (OUT BOARD)	1
40	DEFLECTOR	1
45	OIL INLET PLUG	1
49	OIL SEAL	2
51	BEARING COVER (IN BOARD)	1
53	BRACKET PEDESTAL	1
63	GLAND BUSH	1
61	WEAR PLATE (SUCTION)	1



## PERFORMANCE CHARACTERISTICS 1450 RPM MODEL "BC"



**GITA PUMPS INDIA PVT. LTD.**

H.O: POST BOX 32, GITA COMPOUND, PAPER MILL ROAD, SAHARANPUR - 247001  
 WORKS : VILL-CHHAJPURA, P.O.: KAILASHPUR, DEHRADUN ROAD, SAHARANPUR  
 PHONE: 0132-2786540, 2786541(FAX), 2786509, 9639013246, Upto 56, 9639013245  
 Email: sales@gitapumps.com Website: www.gitapumps.com